

PROJECT NAME:-  
 STRUCTURAL DRAWING OF PROPOSED (G+7)  
 EIGHT STORIED RESIDENTIAL BUILDING OF  
 MR.GOLAM SAMIM,S/O HABIBUR RAHAMAN,  
 PLOT NO-472 KHATIAN NO-1947,J.L  
 NO-209, MOUZA-BANSOL P.S -DURGAPUR  
 DIST-PASCHIM BARDHAMAN. WEST BENGAL.

- NOTES :-
- (±) 0.00 m LEVEL REFERS TO E.G.L.
  - UNLESS OTHERWISE STATED ALL CONSTRUCTION ACTIVITIES SHALL BE CARRIED OUT CONFORMING TO RELEVANT (INDIAN) STANDARD CODES OF PRACTICE.
  - ALL DIMENSIONS ARE IN MILLIMETERS & LEVELS ARE IN METER. EXCEPT OTHERWISE MENTIONED ONLY WRITTEN DIMENSIONS SHALL BE FOLLOWED. ALL LEVELS GIVEN IN STRUCTURAL DRAWINGS ARE IN ACCORDANCE WITH ARCHITECTURAL DRAWINGS AND INDICATE STRUCTURAL LEVEL ONLY (WITHOUT FINISH). HOWEVER ARCHITECTURAL DRAWING TO BE COORDINATED FOR ALL LEVELS.
  - ALL STRUCTURAL DRAWINGS SHALL BE READ ALONG WITH THIS DRAWING AS WELL AS RELEVANT ARCHITECTURAL DRAWINGS.
  - ANY DISCREPANCY IN THE STRUCTURAL AND ARCHITECTURAL DRAWINGS SHALL BE BROUGHT TO THE NOTICE OF STRUCTURAL CONSULTANT BEFORE EXECUTION OF WORK.
  - UNLESS OTHERWISE SPECIFIED ALL REINFORCEMENT TO BE USED SHALL BE TMT. BARS OF GRADE Fe-500/500 D CONFORMING TO IS-1786-2008.
  - ADEQUATE CHAIR BARS TO BE PROVIDED TO KEEP THE TOP REINFORCEMENT IN PROPER POSITION.
  - UNLESS OTHERWISE STATED LAP LENGTH OF BARS SHALL BE DEVELOPMENT LENGTH=50xBAR DIA.
  - UNLESS OTHERWISE SPECIFIED DISTRIBUTION REINFORCEMENT SHALL BE 8 T @ 250 C/C
  - CONCRETE COVER TO MAIN REINFORCEMENT SHALL BE AS FOLLOWS:-  
 a) Beam:-25mm, b) Column:-40mm,  
 c) Slab:-15mm, d) Footing:-50mm,  
 e) R.C.C Wall:-20mm, f) Stair:- 20mm.
  - Grade of concrete will be M30 for column and M25 for beam and sub structure as per is: 456:2000.
  - Development length 50xD for lap & splices should be provided as per the provisions laid down in SP34:1987

SIGNATURE OF DEVELOPER/OWNER:-

VETTED BY:-

DR. S. N. MUKHERJEE  
 Professor  
 CIVIL ENGINEERING DEPT.  
 JADAVPUR UNIVERSITY  
 KOLKATA-700032, (W.B)

TITLE:-

COLUMN LAYOUT PLAN, FOUNDATION LAYOUT PLAN,  
 SCHEDULE OF COLUMN, SCHEDULE OF PILE FOUNDATION,  
 HOOK DETAIL, LIFT SECTION, LONG SECTION OF GRADE  
 BEAM, TYPICAL DETAIL OF BEAM COLUMN JUNCTION.

SCALE : 1:100, 1:50, 1:25, N.T.S

REV-00

DATE : 09.08.2022

SHEET NO:- GIDS/STRUC:-01-02

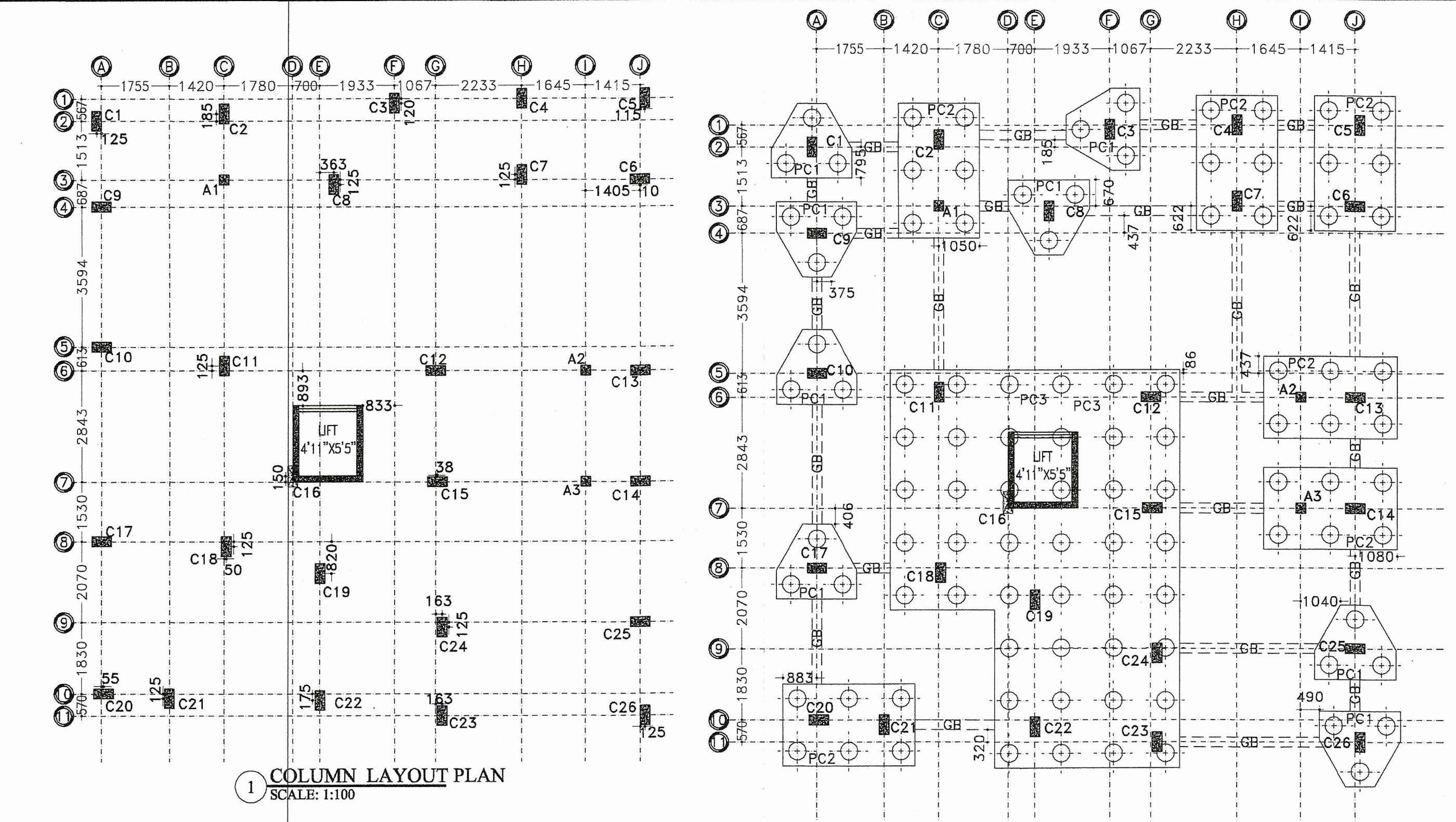
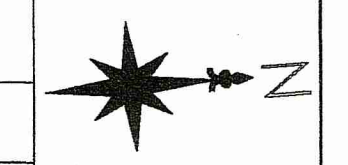
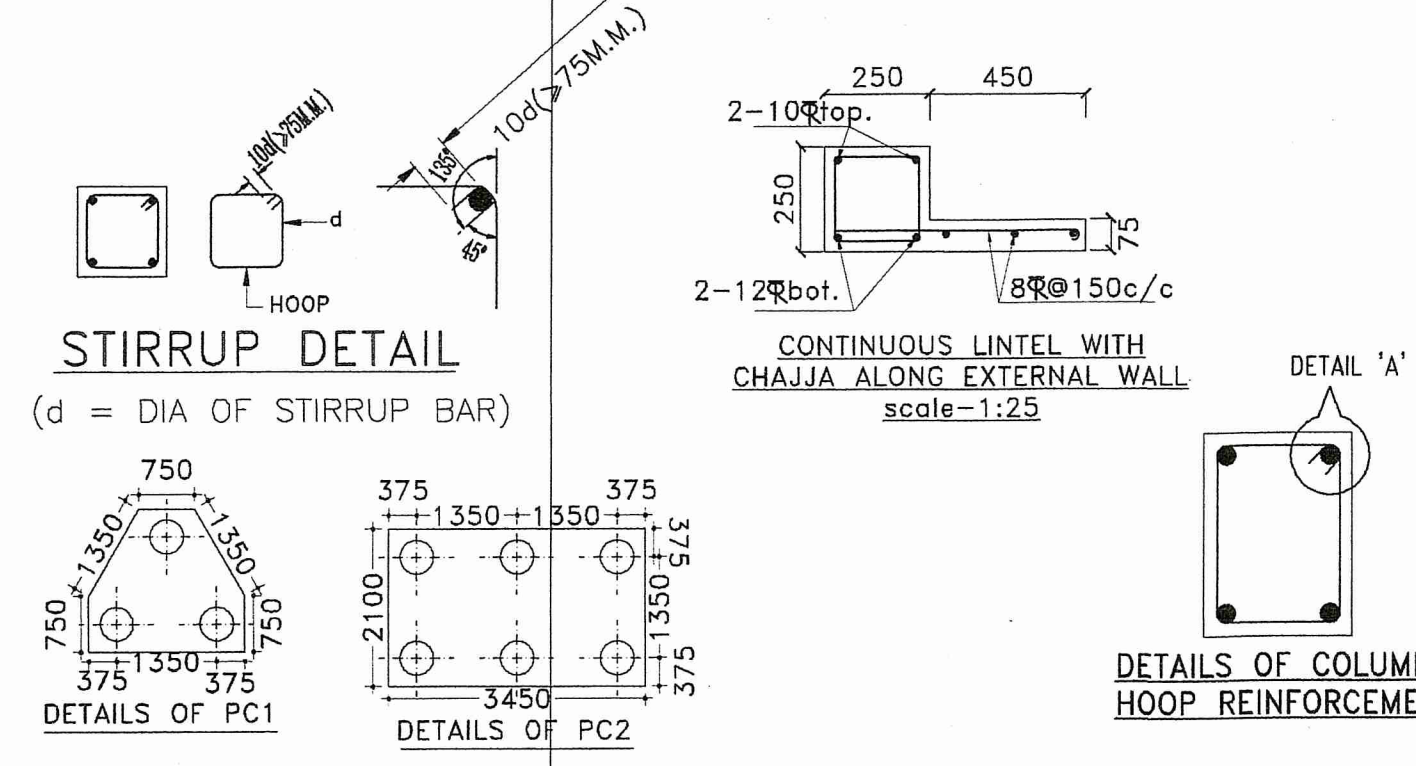


TABLE NO:-01 (SCHEDULE OF COLUMNS)

COLUMN MARKED	NO.OF COLUMN	COLUMN SIZE (MMXMM)	FOUNDATION TO 2ND FLOOR LONGITUDINAL REINFORCEMENT	3RD FLOOR TO 5TH FLOOR LONGITUDINAL REINFORCEMENT	6TH FLOOR TO ROOF LONGITUDINAL REINFORCEMENT	TIE	SHAPE OF STIRRUPS
C1,C2,C3,C4,C5, C6,C8,C9,C10, C13,C14,C17, C18,C19,C20, C21,C22,C23, C25,C26.	18	500X300	500 REINFORCEMENT: 10-25ϕ 2-20ϕ	500 REINFORCEMENT: 8-25ϕ 4-20ϕ	500 REINFORCEMENT: 6-25ϕ 6-20ϕ	NEAR JUNCTION (UPTO 10') LENGTH LINKS: 8ϕ@75C/C (4 NOS. CLOSED LINK PER SET) AT REST PORTION LINKS: 8ϕ@150C/C (4 NOS. CLOSED LINK PER SET)	
C7,C11,C12, C15,C18,C19, C24.	07	500X300	500 REINFORCEMENT: 8-25ϕ 4-20ϕ	500 REINFORCEMENT: 6-25ϕ 6-20ϕ	500 REINFORCEMENT: 4-25ϕ 8-20ϕ	NEAR JUNCTION (UPTO 10') LENGTH LINKS: 8ϕ@75C/C (4 NOS. CLOSED LINK PER SET) AT REST PORTION LINKS: 8ϕ@150C/C (4 NOS. CLOSED LINK PER SET)	
C16.	01	550X300	550 REINFORCEMENT: 12-25ϕ 2-20ϕ	550 REINFORCEMENT: 10-25ϕ 2-20ϕ	550 REINFORCEMENT: 8-25ϕ 4-20ϕ	NEAR JUNCTION (UPTO 10') LENGTH LINKS: 8ϕ@75C/C (4 NOS. CLOSED LINK PER SET) AT REST PORTION LINKS: 8ϕ@150C/C (4 NOS. CLOSED LINK PER SET)	

TABLE NO:-02 (SCHEDULE OF COLUMNS)

COLUMN MARKED	NOS. OF COLUMNS	COLUMN SIZE (mm x mm)	FOUNDATION TO ROOF LONGITUDINAL REINFORCEMENT	TIE	SHAPE OF STIRRUPS
A1,A2,A3.	03	300X300	300 REINFORCEMENT: 6-25ϕ	NEAR JUNCTION (UPTO 10') LENGTH LINKS: 8ϕ@75C/C (2 NOS. CLOSED LINK PER SET) AT REST PORTION LINKS: 8ϕ@150C/C (2 NOS. CLOSED LINK PER SET)	



3. SCHEDULE OF PILE MIN CEMENT CONTENT IN CONCRETE SHALL BE = 400kg/m<sup>3</sup>

LEGEND	DIA OF PILE (MM)	CUT-OFF LEVEL (M)	PILE LENGTH (M)	MAIN REINFORCEMENT	PILE CAPACITY SAFE WORKING LOAD IN TONS			REMARKS
					COMPRESSION	TENSION	LATERAL	
	450 DIA	EL.(-)1.7 EXCEPT PILES UNDER LIFT PIT	16.0	8-16ϕ (ALTH)	-	-	-	CUT OFF LEVEL IS (-) 2.1 MM LEVEL FROM E.G.L. FOR LIFT

NOTE:- ABOVE ARE THE PILE DETAILS ADOPTED. THESE MUST BE ENSURED AT SITE BY PILE LOAD TEST.

2 FOUNDATION LAYOUT PLAN SCALE: 1:100

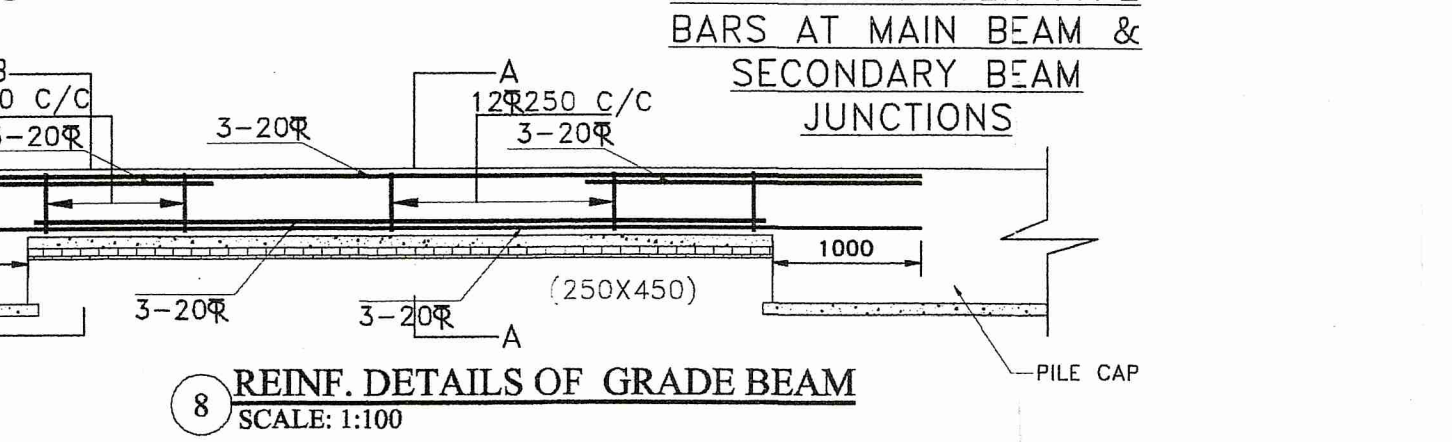
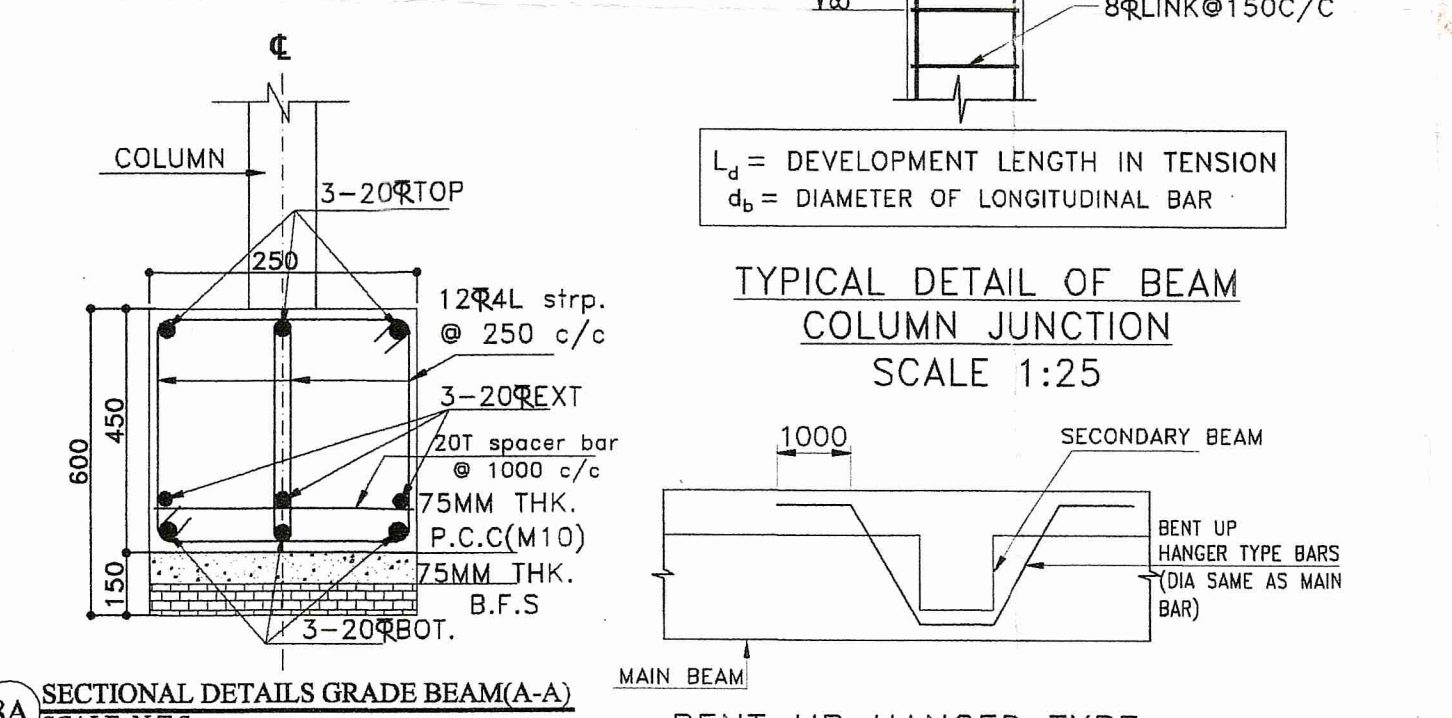
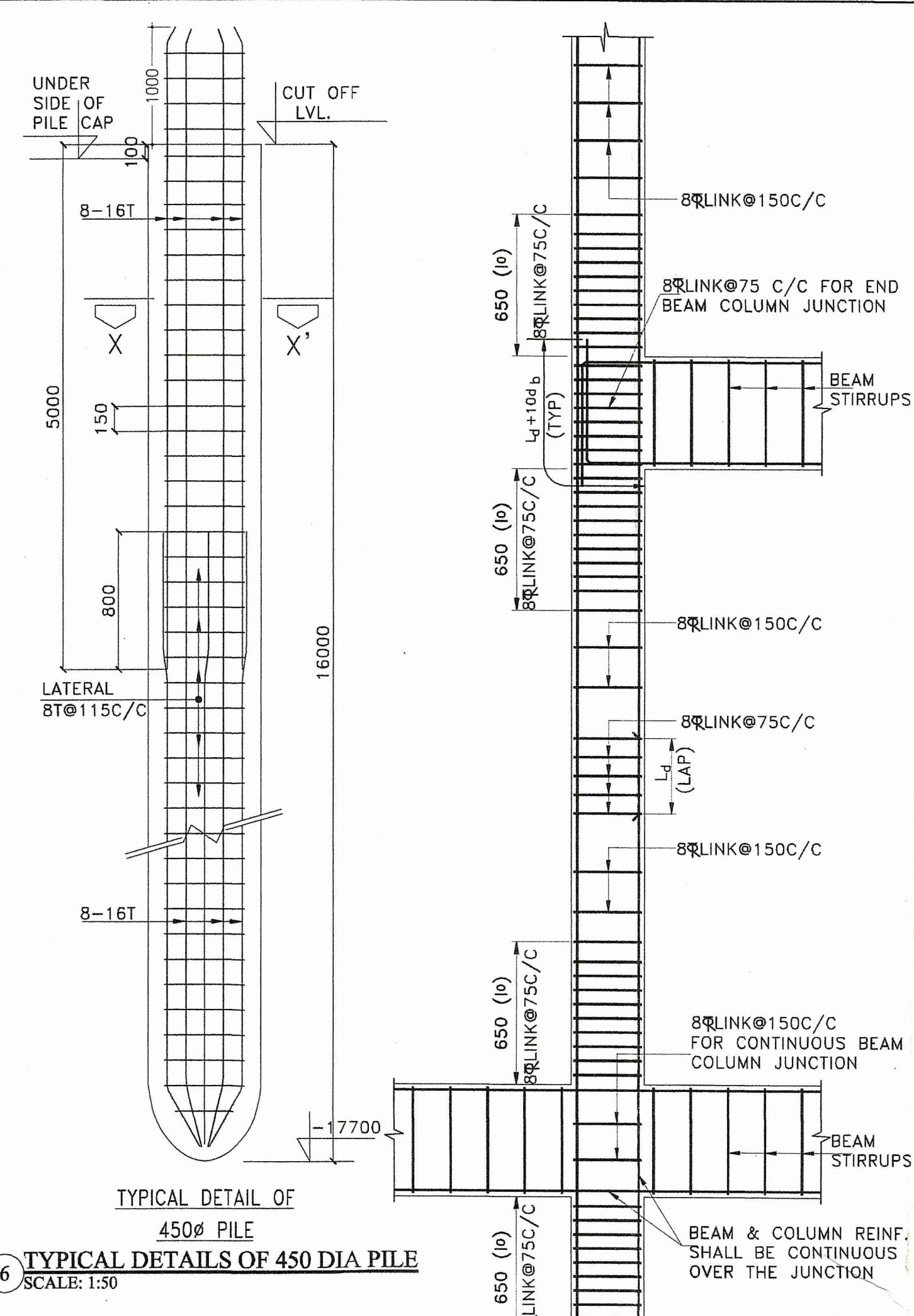
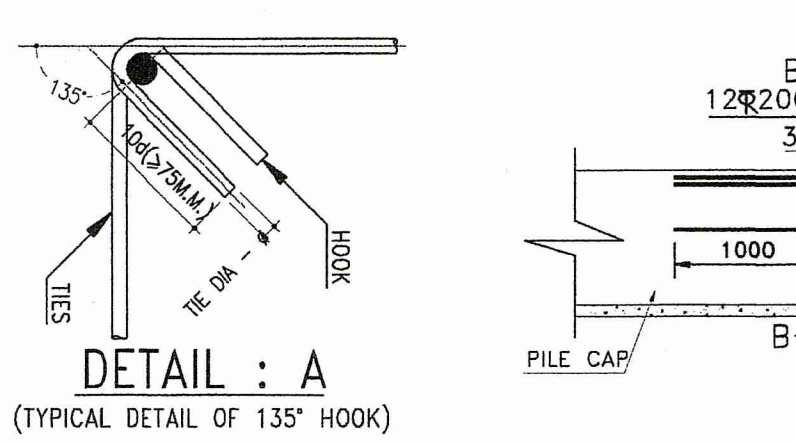
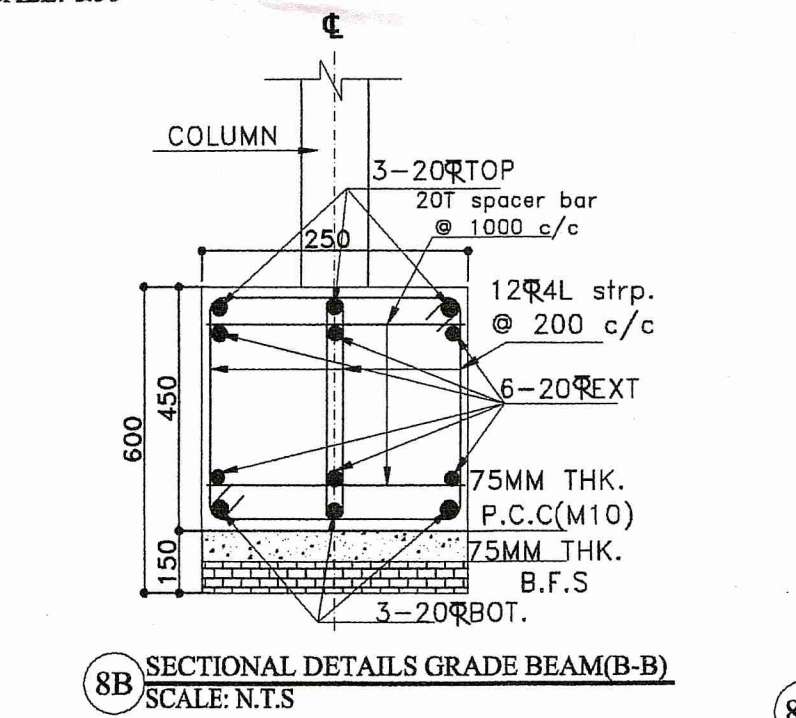
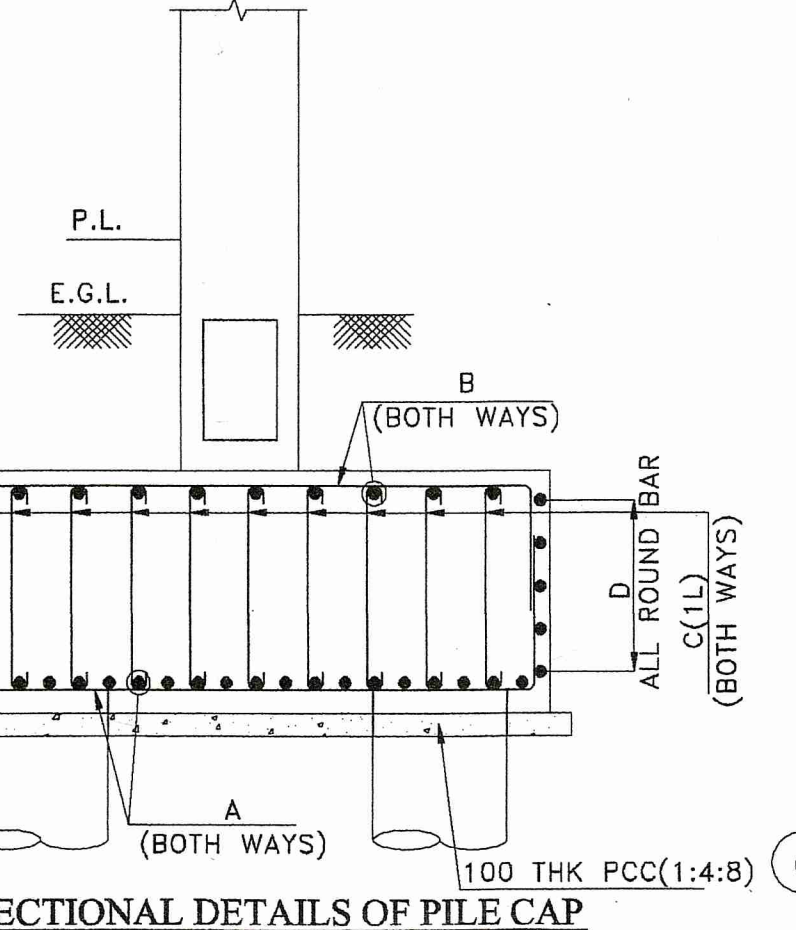
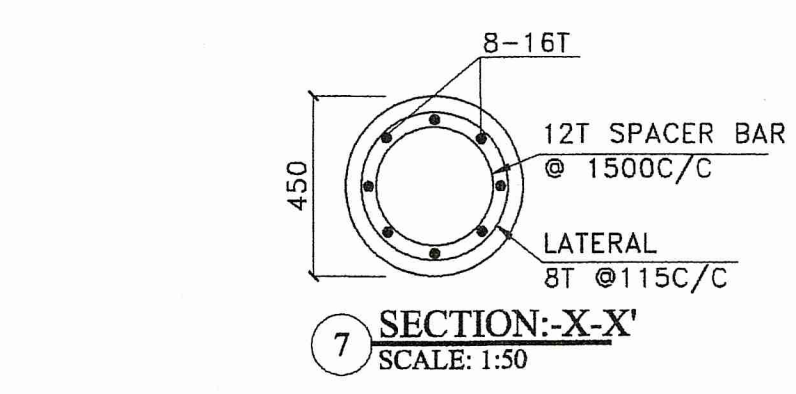
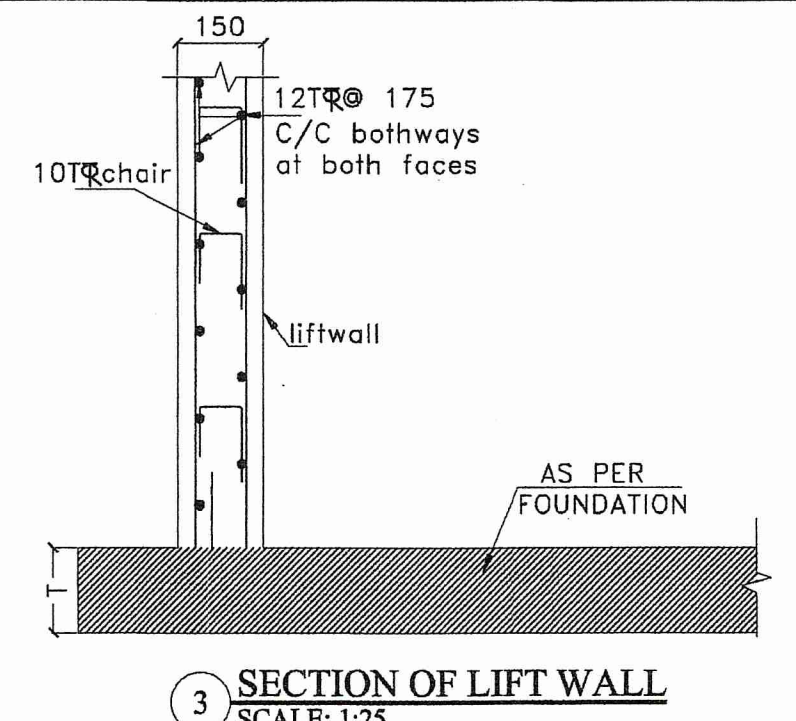
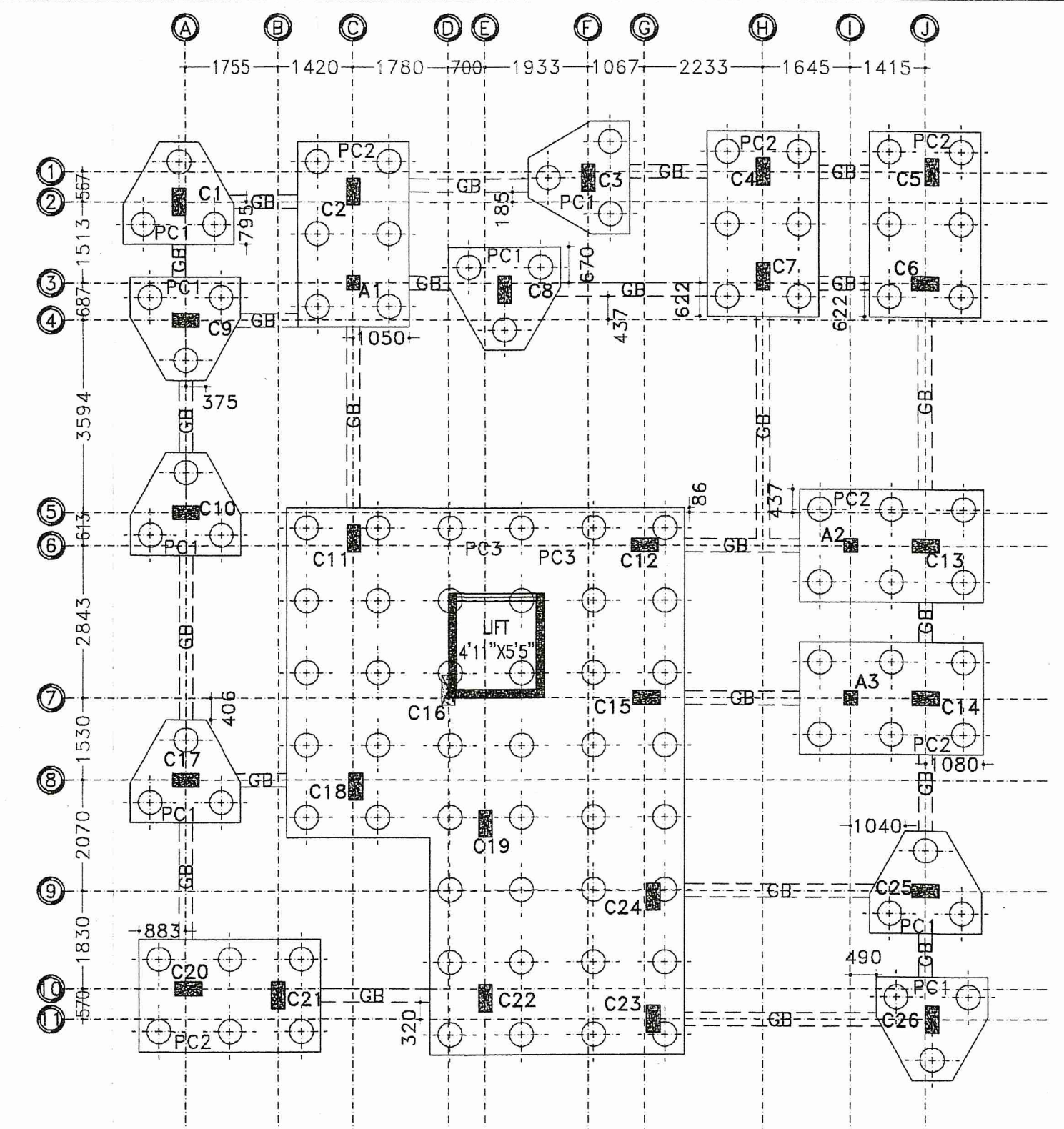


TABLE NO:-02 (SCHEDULE OF PILE CAP 450 ϕ PILE)

PILE CAP MARKED	NAME OF COLUMN	CAP SIZE LENGTH (mm) WIDTH (mm) THICKNESS (mm) (T)	BOTTOM REINFORCEMENT(A)		TOP REINFORCEMENT(B)		C LINK(C) (BOTH DIRECTION)	SIDE FACE REINFORCEMENT (D)	CUT OFF LEV.
			ALONG LONGER DIRECTION	ALONG SHORTER DIRECTION	ALONG LONGER DIRECTION	ALONG SHORTER DIRECTION			
PC1(3P)	C1,C3,C8,C9,C10, C17,C25,C26.	SEE LAYOUT PLAN	20 ϕ@150 C/C	20 ϕ@150 C/C	20 ϕ@150 C/C	20 ϕ@150 C/C	12 ϕ@150 C/C	16 ϕ@100 C/C	(-) 1.7 m
PC2(6P)	(C2+A1),(C4+C7) (C5+C6),(C13+A2), (C14+A3),(C20+C21).	2100 3450 1200	20 ϕ@150 C/C	20 ϕ@150 C/C	20 ϕ@150 C/C	20 ϕ@150 C/C	12 ϕ@150 C/C	16 ϕ@100 C/C	(-) 1.7 m
PC3(42P)	(C11+C12+C15+C16 C18+C19+C22+ C23+C24+LIFT-1).	SEE LAYOUT PLAN	20 ϕ@150 C/C	20 ϕ@150 C/C	20 ϕ@150 C/C	20 ϕ@150 C/C	12 ϕ@150 C/C	16 ϕ@100 C/C	(-) 2.1 m

SIGNATURE OF ARCHITECT:-  
 VAISHNAVI MAJUMDAR ATHALYE  
 CONSULTING ARCHITECT  
 CA/2018/01108

SIGNATURE OF GEO-TECHNICAL ENGINEER:-  
 HIRAK GHOSH  
 Civil & Geotechnical Engineer  
 Lic. No. - LBP/1627/AMC  
 G.I.D.S., Durgapur - 16

SIGNATURE OF STRUCTURAL ENGINEER:-  
 HIRAK GHOSH  
 Structural Engineer  
 Lic. No. - LBP/1627/AMC  
 DCE, B-TECH, G.I.D.S., Durgapur - 16  
 Contact No. - 9332333331